

Aquaplus

**SD, SDA, SDL Series
Heavy Duty Submersible
Dewatering and
Drainage Pumps
415V**



**3 Year
Warranty!**

Dewatering Pumps

Heavy Duty Submersible Dewatering Drainage Pump 415V

Aquaplug SD Series 415V pumps are used extensively in applications such as construction dewatering and sump drainage. SD Series pumps are designed for continuous unattended operation.

Features

- Cast iron casing, ductile iron suction cover and chrome iron impeller
- Built in oil lifter enhances sealing life and performance
- Dual silicon carbide mechanical seals in an oil bath
- Pump can run in horizontal and vertical configurations
- Pump can run in “snore mode”

Applications

- General construction work
- Civil engineering
- Deep well applications

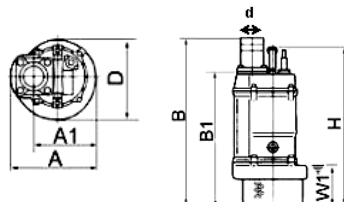
Specifications

Model Number	Discharge (mm)	Power (kW)	Voltage (V)	Cable (m)	Max Flow (L/s)	Shut-off Head (m)	Pump Weight (kg)	Max Solid (mm)	Rated current A (415 V)
SD-50-52-1.5T2-20M-O	50	1.5	415	20	6.6	22	30	8.5	3.3
SD-80-52-1.5T2-20M-O	80	1.5	415	20	11.2	14	30	8.5	3.3
SD-50-52-2.2T2-20M-O	50	2.2	415	20	8.2	26	34	8.5	5.6
SD-80-52-2.2T2-20M-O	80	2.2	415	20	16	18	34	8.5	5.6
SD-50-52-3.7T2-20M-O	50	3.7	415	20	7.5	36.5	56	8.5	7.3
SD-80-52-3.7T2-20M-O	80	3.7	415	20	16	27	56	8.5	7.3
SD-100-52-3.7T2-20M-O	100	3.7	415	20	24.1	18	56	8.5	7.3
SD-80-52-5.5T2-20M-O	80	5.5	415	20	22	33	71	8.5	10.5
SD-100-52-5.5T2-20M-O	100	5.5	415	20	30.5	23	71	8.5	10.5
SD-100-52-7.5T2-20M-O	100	7.5	415	20	21.4	39	96	8.5	13.8
SD-150-52-7.5T2-20M-O	150	7.5	415	20	36	33	98	20	13.8
SD-100-52-11T2-20M-O	100	11	415	20	24.1	47	132	8.5	20.5
SD-150-52-11T2-20M-O	150	11	415	20	40	32.5	135	20	20.5
SD-100-52-15T2-20M-O	100	15	415	20	24	56	145	11.5	29.5
SD-150-52-15T2-20M-O	150	15	415	20	44	40	149	19.5	29.5

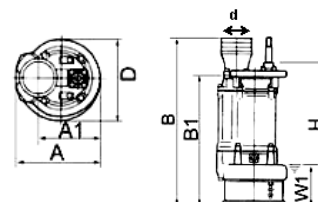
Dimensions



1.5kW - 5.5kW



7.5kW - 15kW

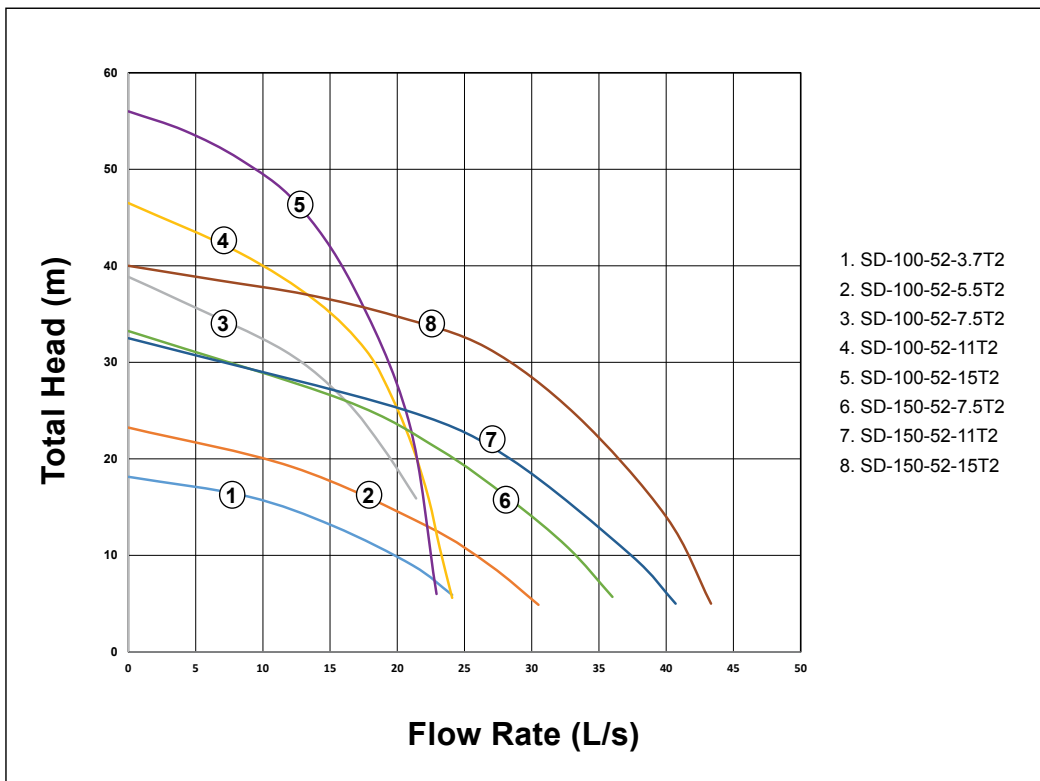
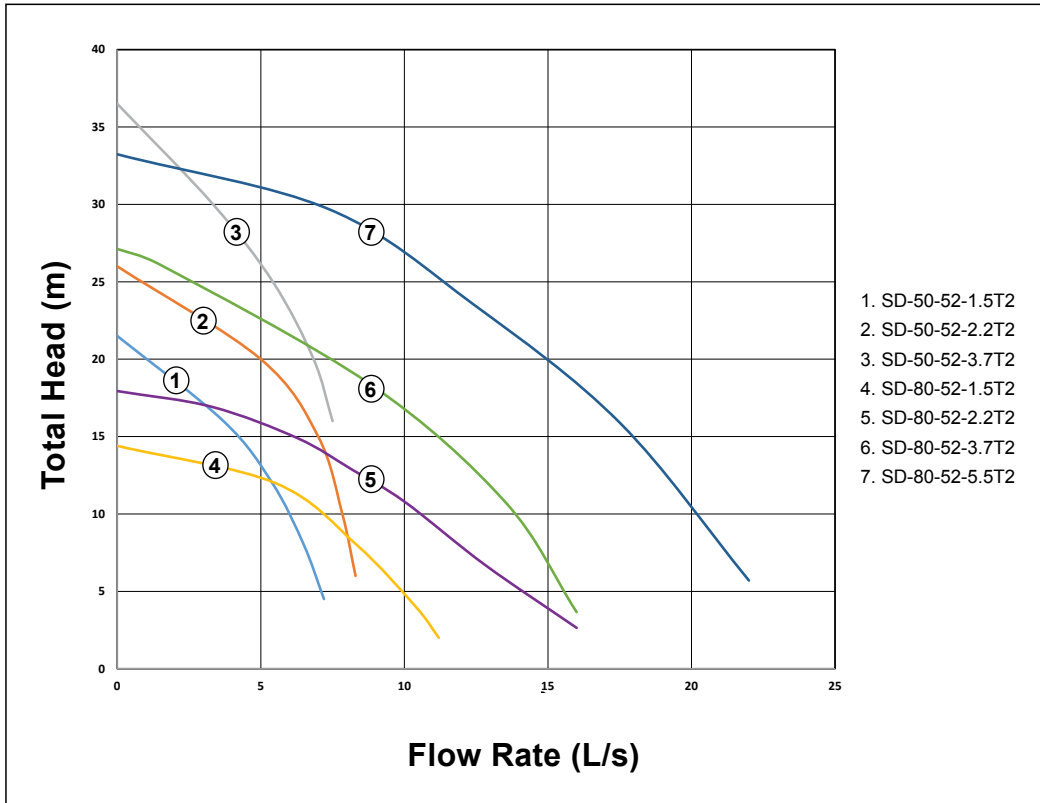


Model	Dimensions (mm)							
	D	H	A	A1	B	B1	W1	d
SD-50-52-1.5T2-20M-O	216	486	235	173	597	409	120	50
SD-80-52-1.5T2-20M-O	216	486	235	173	597	409	120	80
SD-50-52-2.2T2-20M-O	216	486	235	173	517	412	120	50
SD-80-52-2.2T2-20M-O	252	638	283	208	628	523	150	80
SD-50-52-3.7T2-20M-O	216	486	235	173	517	394	120	50
SD-80-52-3.7T2-20M-O	252	638	283	208	628	508	150	80
SD-100-52-3.7T2-20M-O	259	598	306	218	671	536	150	100
SD-80-52-5.5T2-20M-O	525	638	283	208	642	523	150	80
SD-100-52-5.5T2-20M-O	259	598	306	218	686	547	150	100
SD-100-52-7.5T2-20M-O	314	676	330	240	764	626	190	100
SD-150-52-7.5T2-20M-O	314	676	330	240	790	626	190	150
SD-100-52-11T2-20M-O	350	695	373	255	807	641	190	100
SD-150-52-11T2-20M-O	350	695	373	255	807	631	190	150
SD-100-52-15T2-20M-O	350	755	373	255	842	666	190	100
SD-150-52-15T2-20M-O	350	755	373	255	842	666	190	150

All content is subject to change without notice.

Heavy Duty Submersible Dewatering Drainage Pump 415V (cont.)

Performance Curves



All content is subject to change without notice.

Heavy Duty Submersible Dewatering Drainage Pump 415V

Aquaplug SDA Series 415V pumps are used extensively in applications such as construction dewatering and sump drainage. SDA Series pumps are designed for continuous unattended operation.

Features

- Agitator
- Cast iron casing, ductile iron suction cover and chrome iron impeller
- Built in oil lifter enhances sealing life and performance
- Dual silicon carbide mechanical seals in an oil bath
- Pump can run in horizontal and vertical configurations
- Pump can run in “snore mode”

Applications

- Available for light slurry applications such as pumping concrete, bentonite and pulp
- General construction work
- Civil engineering
- Deep well applications

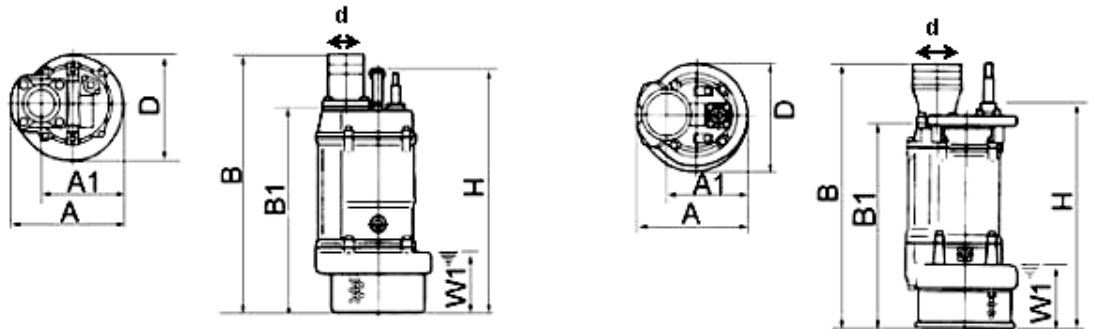
Specifications

Model Number	Discharge (mm)	Power (kW)	Voltage (V)	Cable (m)	Max Flow (L/s)	Shut-off Head (m)	Pump Weight (kg)	Max Solid (mm)	Rated current A (415 V)
SDA-50-52-2.2T2-20M-O	50	2.2	415	20	8.3	25	40	10	5
SDA-80-52-3.7T2-20M-O	80	3.7	415	20	16.7	30	64	10	7.7
SDA-80-52-4.0T2-20M-O	80	4	415	20	25	15	105	30	9.5
SDA-100-52-6.0T2-20M-O	100	6	415	20	39	17	145	30	13
SDA-150-52-9.0T2-20M-O	150	9	415	20	53	23	170	30	18
SDA-200-52-22T2-20M-O	200	22	415	20	100	32	400	30	41.5

Dimensions

2.2kW - 6kW

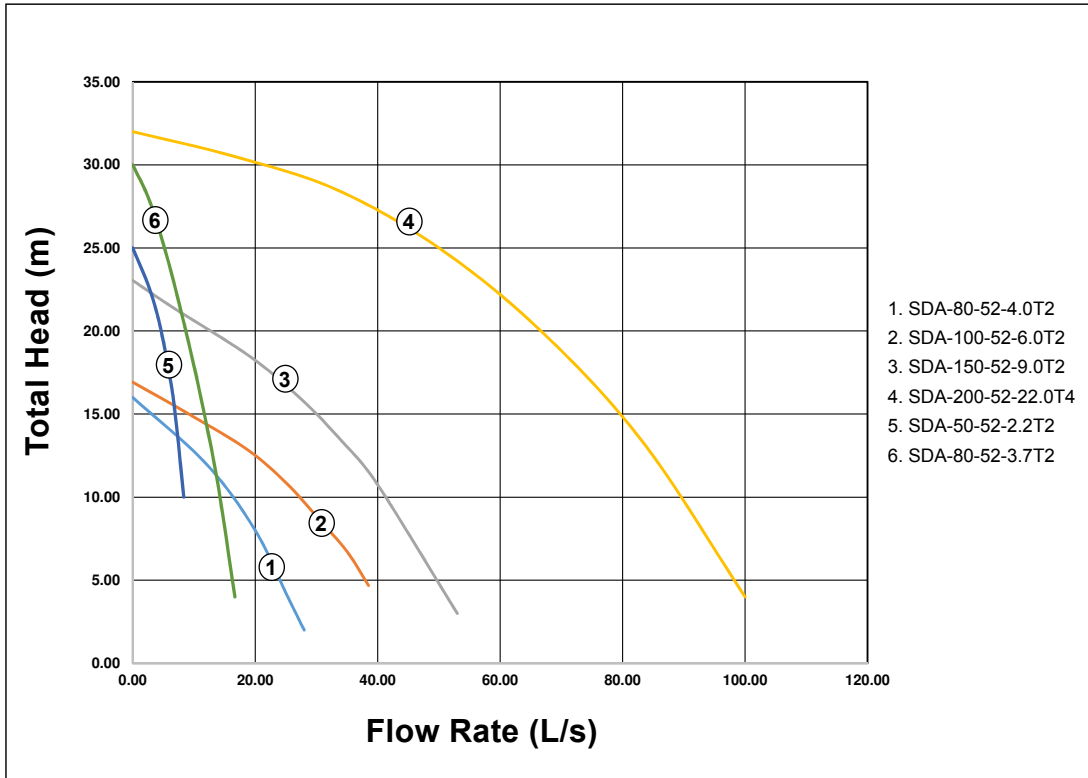
9kW - 22kW



Model	Dimensions (mm)							
	D	H	A	A1	B	B1	W1	d
SDA-50-52-2.2T2-20M-O	216	522	235	173	557	-	135	50
SDA-80-52-3.7T2-20M-O	252	642	283	208	636	-	165	80
SDA-80-52-4.0T2-20M-O	326	766	350	260	786	666	250	80
SDA-100-52-6.0T2-20M-O	373	720	415	305	823	662	263	100
SDA-150-52-9.0T2-20M-O	400	768	434	324	872	712	262	150
SDA-200-52-22T2-20M-O	528	1200	578	442	1245	970	330	200

Heavy Duty Submersible Dewatering Drainage Pump 415V (cont.)

Performance Curves



Heavy Duty Submersible Dewatering Pump 415V - High Head High Flow

Aquaplus SDL Series 415V pumps are used in applications such as general construction works, civil engineering, deep well applications and mine site dewatering.

Features

- Cast iron casing, ductile iron suction cover and chrome iron impeller
- Built in oil lifter enhances sealing life and performance
- Dual silicon carbide mechanical seals in an oil bath
- Pump can run in horizontal and vertical configurations
- Pump can run in “snore mode”

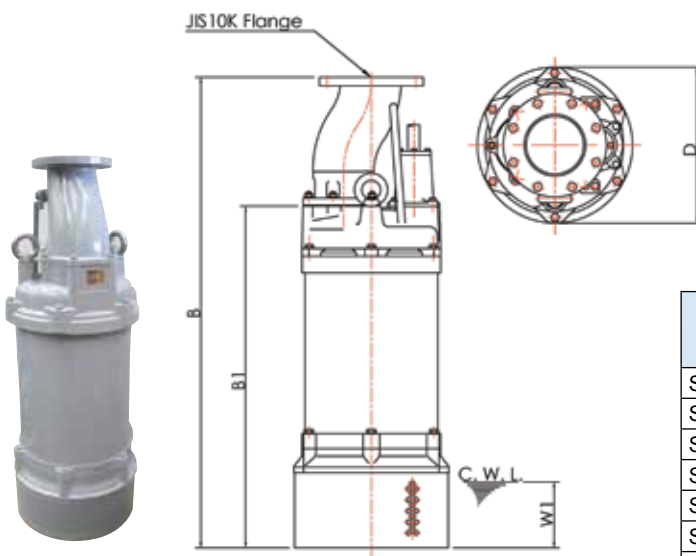
Applications

- General construction works
- Civil engineering
- Deep well applications
- Mine site dewatering

Specifications

Model Number	Discharge (mm)	Power (kW)	Voltage (V)	Cable (m)	Max Flow (L/s)	Shut-off Head (m)	Weight (kg)	Max Solid (mm)	Rated current A (415 V)
SDL-100-52-22T2-20M-C	100	22	415	20	36	66	365	6	41.5
SDL-100-52-30T2-20M-C	100	30	415	20	47	78	370	6	54
SDL-150-52-22T2-20M-C	150	22	415	20	55	50	375	12	41.5
SDL-150-52-30T2-20M-C	150	30	415	20	61	56	380	12	54
SDL-150-52-37T2-20M-C	150	37	415	20	61	83	620	6	71
SDL-150-52-45T2-20M-C	150	45	415	20	61	90	640	6	85
SDL-150-52-75T2-20M-C	150	75	415	20	50	132	830	6	134
SDL-200-52-37T2-20M-C	200	37	415	20	91	48	620	20	71
SDL-200-52-45T2-20M-C	200	45	415	20	102	53	640	20	85
SDL-200-52-55T2-20M-C	200	55	415	20	95	70	940	20	93
SDL-200-52-75T2-20M-C	200	75	415	20	108	70	830	20	134

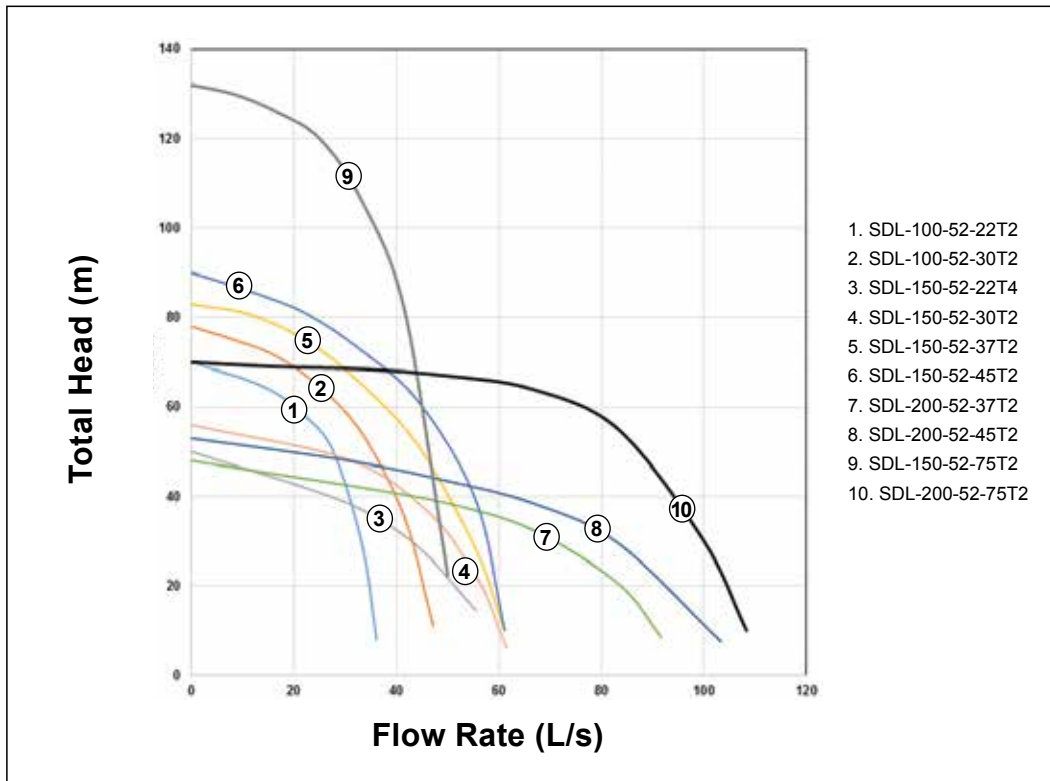
Dimensions



Model	Dimensions (mm)			
	D	B	B1	W1
SDL-100-52-22T2-20M-C	420	1315	964	190
SDL-100-52-30T2-20M-C	420	1355	1004	190
SDL-150-52-22T2-20M-C	420	1362	961	190
SDL-150-52-30T2-20M-C	420	1362	961	190
SDL-150-52-37T2-20M-C	530	1448	1027	190
SDL-150-52-45T2-20M-C	530	1448	1027	190
SDL-150-52-75T2-20M-C	550	1630	1280	200
SDL-200-52-37T2-20M-C	530	1448	1027	190
SDL-200-52-45T2-20M-C	530	1448	1027	190
SDL-200-52-55T2-20M-C	530	1448	1027	190
SDL-200-52-75T2-20M-C	550	1680	1280	200

Heavy Duty Submersible Dewatering Pump 415V - High Head High Flow (cont.)

Performance Curves



Aquaplus Product Range

ESD Series – End Suction DIN (24255) Pumps

ESI Series – End Suction ISO (2585) Pumps

SP Series – Self Priming Pumps

SD Series – Submersible Dewatering Pumps

AD Series – Air Diaphragm Pumps

MD Series – Magnetic Drive Pumps

FRM Series – Flexible Rising Main (Borehole Pump Hose)

MS Series – Mechanical Seals (Single Spring & Cartridge)

We are also able to provide Progressive Cavity, Peristaltic Pumps, Split Case Pumps and Magnetic Drive Pumps.

The logo for Aquaplus, featuring the word "Aquaplus" in a stylized, blue, italicized font with a wave-like underline.

AVAILABLE FROM

CONTACT US



For information on these products or for any specialised requirements please contact your local Aquaplus distributor or visit our website at www.aquapluspumps.com.au