

Aquaplus

SSP Series
Submersible Sewerage Pumps
Grinder Pumps



Grinder Pumps

2 Year
Warranty!

Aquaplus Grinder Pumps are robust and reliable pumps ideal for sewage applications where liquids are contaminated with long stringy materials such as fabrics, plastics and rubber.

Features

- Integrated grinding mechanism performing 80,000 shredding actions per minute
- Chromium Molybdenum cutter
- Triplex seal system. Double sided mechanical seals with silicon carbide faces (both top and bottom) running in an oil filled chamber, and the third oil seal isolates the motor from the sewage.
- Dual ball bearing on the bottom of the motor to support the axial push
- Thermal overload protection
- 10m epoxy cable on 240V
- 20m epoxy cable on 415V
- Optional TOS Kit available

Applications

- Domestic sewage system
- Industrial waste system
- Industrial waste water treatment
- Restaurants
- Any other applications requiring the removal of water that may contain filaments, plastic bags, long fibres or rubber materials

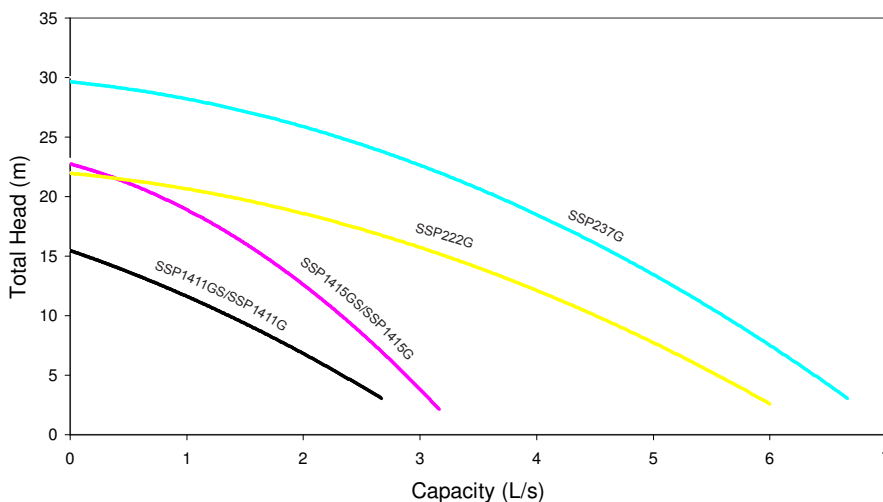


Specifications

Model	Discharge (mm)	Power (kW)	Voltage (V)	Cable (m)	Max flow (L/s)	Shut-off (m)	Dry weight (kg)
SSP1411GS	32	1.1	240	10	3.17	16	31
SSP1411G	32	1.1	415	20	3.17	16	30
SSP1415GS	32	1.5	240	10	3.33	23	37
SSP1415G	32	1.5	415	20	3.33	23	34
SSP222G	50	2.2	415	20	6.33	22	48
SSP237G	50	3.7	415	20	7	30	50

Performance Curve

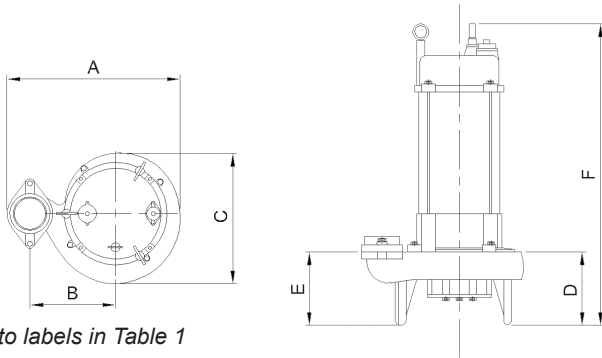
SSP Series - Grinder Pumps



- SSP1411GS/SSP1411G
- SSP1415GS/SSP1415G
- SSP222G
- SSP237G

IMPORTANT: Pump curves are guidelines only. Before making a product selection please contact Malcolm Thompson Pumps for a detailed pump curve of each model.

Pump Dimensions



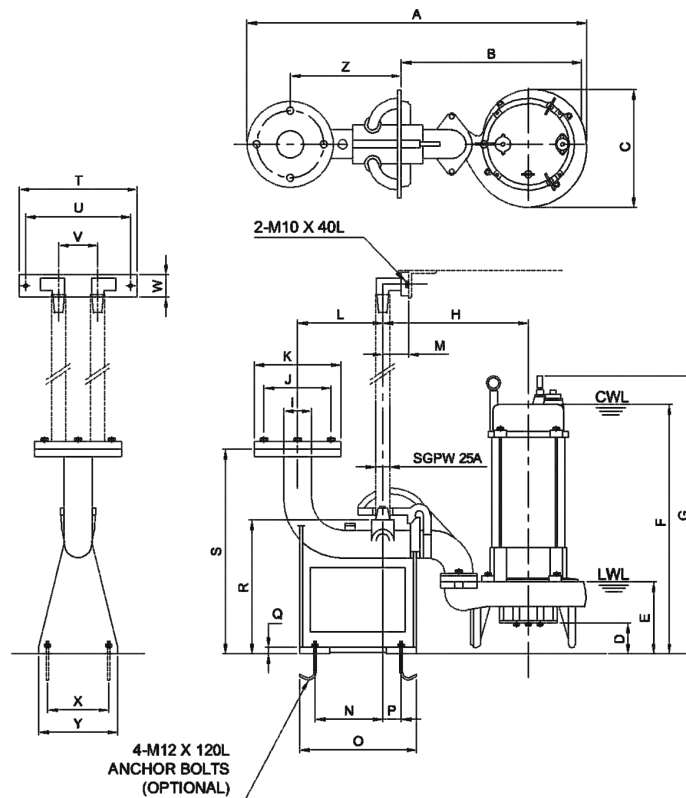
Refer to labels in Table 1

Table 1

Model	A	B	C	D	E	F
SSP1411GS	284	139	210	108	108	512
SSP1411G	284	139	210	108	108	512
SSP1415GS	284	139	210	108	108	552
SSP1415G	284	139	210	108	108	552
SSP222G	312	155	234	111	111	513
SSP237G	312	155	234	111	111	573

Freestanding dimensions in mm

Pump and Optional TOS Kit Dimensions



Refer to labels in Table 2

Table 2

Model	A	B	C	D	E	F	G	H	I	J	K	L	M	N	O	P	Q	R	S	T	U	V	W	X	Y	Z
SSP1411GS	616	340	210	65	138	522	542	281	32	120	155	152	46	121	209	33	12	239	365	211	186	70	40	109	140	196
SSP1411G	616	340	210	65	138	562	582	281	32	120	155	152	46	121	209	33	12	239	365	211	186	70	40	109	140	196
SSP1415GS	616	340	210	65	138	562	582	281	32	120	155	152	46	121	209	33	12	239	365	211	186	70	40	109	140	196
SSP1415G	616	340	210	65	138	562	582	281	32	120	155	152	46	121	209	33	12	239	365	211	186	70	40	109	140	196
SSP222G	645	369	234	58	138	515	540	297	50	120	155	152	46	121	209	33	12	239	365	211	186	70	40	109	140	196
SSP237G	645	369	234	58	138	566	600	297	50	120	155	152	46	121	209	33	12	239	365	211	186	70	40	109	140	196

TOS dimensions in mm



AVAILABLE FROM

For information on these products or for any specialised requirements
please contact your local Aquaplus distributor or visit our
website at www.aquapluspumps.com.au