

Aquaplus

SSP Series
Submersible Sewerage Pumps
Cutter Pumps



Cutter Pumps

2 Year
Warranty!

Aquaplus Cutter Pumps are robust and reliable pumps ideal for grey water applications where water is contaminated by solids that need to be cut to prevent blockage during discharge.

Features

- Dynamically balanced non-clog impeller
- Tungsten carbide cutting tip
- Emission cutting suction cover
- Thermal overload protection
- Triplex seal system. Double sided mechanical seals with silicon carbide faces (both top and bottom) running in an oil filled chamber, and the third oil seal isolates the motor from the sewage.
- 10m epoxy cable on 240V
- 20m epoxy cable on 415V
- Optional TOS Kit available

Applications

- Sewage pump station
- Septic system
- Waste water treatment plant
- Construction drainage system
- Any other applications requiring the removal of sewage water

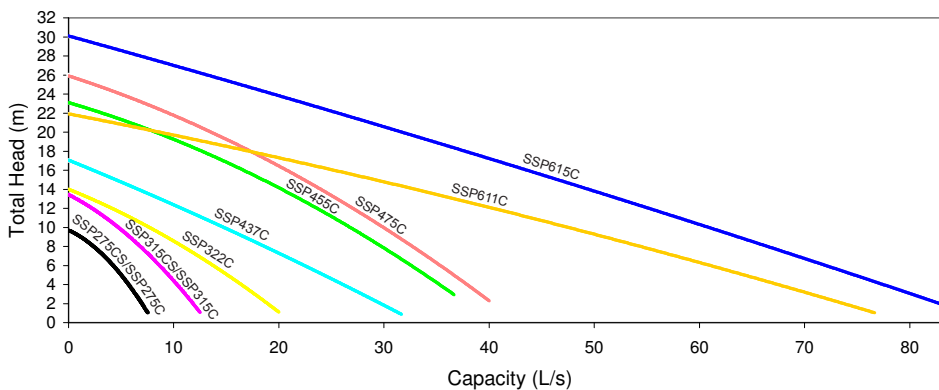


Specifications

Model	Discharge (mm)	Power (kW)	Voltage (V)	Cable (m)	Max flow (L/s)	Shut-off (m)	Dry weight (kg)	Max solid (mm)
SSP275CS	50	0.75	240	10	7	10	30	25
SSP275C	50	0.75	415	20	7	10	30	25
SSP315CS	80	1.5	240	10	12	14	56	28
SSP315C	80	1.5	415	20	12	14	50	28
SSP322C	80	2.2	415	20	21.7	14	97	40 x 50
SSP437C	100	3.7	415	20	33.3	17	97	53 x 50
SSP455C	100	5.5	415	20	38.3	23	152	88 x 46
SSP475C	100	7.5	415	20	38.3	26	172	88 x 46
SSP611C	150	11	415	20	75	22	253	117 x 48
SSP615C	150	15	415	20	83.3	30	263	117 x 50

Performance Curve

SSP Series - Cutter Pumps

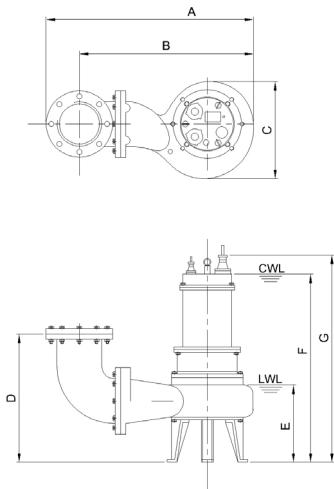


- SSP275CS/SSP275C
- SSP315CS/SSP315C
- SSP322C
- SSP437C
- SSP455C
- SSP475C
- SSP611C
- SSP615C

IMPORTANT: Pump curves are guidelines only. Before making a product selection please contact Malcolm Thompson Pumps for a detailed pump curve of each model.

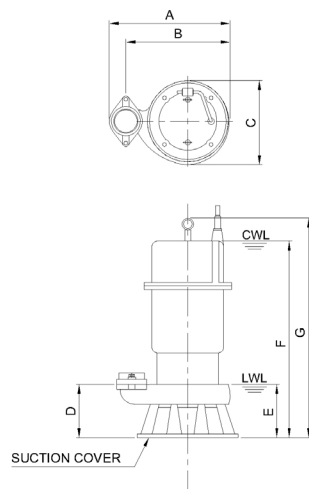
Pump Dimensions

ALL MODELS (excluding SSP275CS and SSP275C)



Refer to labels in Table 1

SSP275CS AND SSP275C



Refer to labels in Table 1

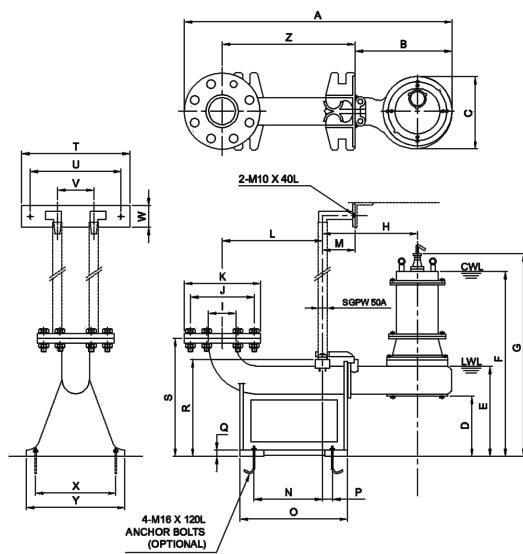
Table 1

Model	A	B	C	D	E	F	G
SSP275CS	518	413	212	265	122	523	473
SSP275C	518	413	212	265	122	523	473
SSP315CS	518	413	212	265	122	420	372
SSP315C	518	413	212	265	122	420	372
SSP322C	580	475	311	177	276	715	627
SSP437C	580	475	311	177	276	740	652
SSP455C	681	576	385	188	288	797	715
SSP475C	681	576	385	188	288	818	736
SSP611C	880	740	491	200	311	817	789
SSP615C	880	740	491	200	311	901	819

All dimensions are in mm

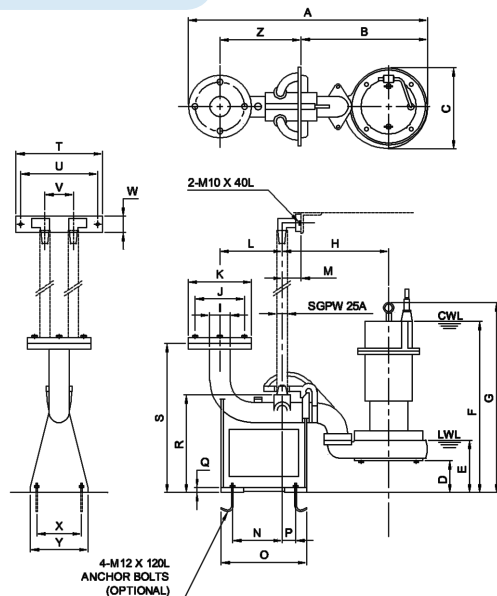
Pump and Optional TOS Kit Dimensions

ALL MODELS (excluding SSP275CS and SSP275C)



Refer to labels in Table 2

SSP275CS AND SSP275C



Refer to labels in Table 2

Table 2

Model	A	B	C	D	E	F	G	H	I	J	K	L	M	N	O	P	Q	R	S	T	U	V	W	X	Y	Z
SSP275CS	584	309	190	78	128	419	465	260	50	120	155	152	46	121	209	33	12	239	365	211	188	70	40	109	140	198
SSP275C	584	309	190	78	128	419	465	260	50	120	155	152	46	121	209	33	12	239	365	211	188	70	40	109	140	198
SSP315CS	693	303	212	140	217	568	618	256	80	175	210	225	60	155	250	15	17	240	290	234	195	80	66	170	220	285
SSP315C	693	303	212	140	217	568	618	29	80	175	210	225	60	155	250	15	17	240	290	234	195	80	66	170	220	285
SSP322C	755	365	311	116	282	633	721	270	80	175	210	225	60	155	250	15	17	240	290	234	195	80	66	170	220	285
SSP437C	755	365	311	116	282	658	746	270	100	175	210	225	60	155	250	15	17	240	290	234	195	80	66	170	220	285
SSP455C	899	430	385	116	274	721	803	330	100	175	210	275	89	188	295	27	17	265	323	298	249	100	60	220	270	364
SSP475C	899	430	385	116	274	742	824	330	100	175	210	257	89	188	295	27	17	265	323	298	249	100	60	220	270	364
SSP611C	1019	623	491	215	416	894	976	427	150	240	280	310	46	202	340	38	20	404	480	300	255	150	60	238	348	356
SSP615C	1019	623	491	215	416	924	1006	427	150	240	280	310	46	202	340	38	20	404	480	300	255	150	60	238	348	356

TOS dimensions in mm



AVAILABLE FROM

For information on these products or for any specialised requirements
please contact your local Aquaplus distributor or visit our
website at www.aquapluspumps.com.au